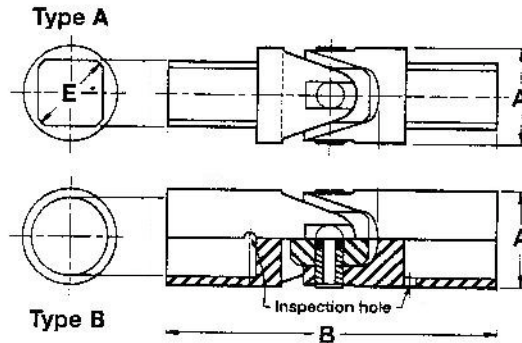




Light Duty Military Standard Universal Joints



In accordance with Mil-J-6193 and Standard Drawing MS20270.

For Light Duty Use.

A Series is Male Square. B Series is Bored Hub.

Part Number	A Diameter (in)	B Overall Length (in)	E Square (in)
MS-20270-B6	0.372	1.750	
MS-20270-A8	0.495	1.875	0.493
MS-20270-B8	0.495	1.875	
MS20270-A10	0.620	2.187	0.562
MS-20270-B10	0.620	2.187	
MS20270-A12	0.745	2.500	0.743
MS20270-B12	0.745	2.500	
MS20270-B14	0.870	3.000	
MS20270-A16	0.995	3.375	0.875
MS202670-B16	0.995	3.375	
MS20270-A20	1.245	3.750	1.187
MS20270-B20	1.245	3.750	
MS20270-A24	1.495	4.500	1.375
MS20270-B24	1.495	4.500	