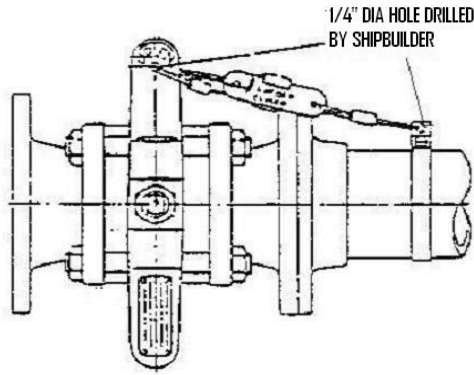


Locking Devices



In accordance with BuShip Drawing Number 845-1889758

Type	Part #
Locked Closed	LOCK-C
Locked Open	LOCK-O

